



**Electrolux**  
PROFESSIONAL

**Modular Cooking Range Line  
thermaline 85 - 900 mm Open  
base, 1 Side**

ITEM # \_\_\_\_\_

MODEL # \_\_\_\_\_

NAME # \_\_\_\_\_

SIS # \_\_\_\_\_

AIA # \_\_\_\_\_



588637 (MB1MCA1000)

Open Base, one-side operated

**Short Form Specification**

Item No. \_\_\_\_\_

900 mm wide open base compartment to store pots, pans, sheet pans, etc. Internal frame for heavy duty sturdiness in stainless steel. Flat surface construction, easily cleanable.

IPX5 water resistant certification.

Configuration: One side operated freestanding base.

**Main Features**

- All major components may be easily accessed from the front.
- Open base compartment for storage of pots, pans, sheet pans, etc.
- Unit to be placed below modular top appliances to store pots, pans, sheet pans, etc.

**Construction**

- 2 mm top in 1.4301 (AISI 304).
- IPX5 water resistance certification.
- Flat surface construction with minimal hidden areas to easily clean all surfaces
- Internal frame for heavy duty sturdiness in stainless steel.
- [NOT TRANSLATED]

**Optional Accessories**

- Stainless steel front kicking strip, 900mm width PNC 912635
- Stainless steel side kicking strip left and right, wall mounted, 850mm width PNC 912659
- Stainless steel side kicking strip left and right, back-to-back, 1700mm width PNC 912662
- Stainless steel side panel, 850x700mm, right side, against wall PNC 913003
- Stainless steel side panel, 850x700mm, left side, against wall PNC 913004
- Perforated shelf for warming cabinets and cupboard bases (one-side operated TL85) PNC 913241
- Side reinforced panel only in combination with side shelf, for against the wall installations, right PNC 913261
- Side reinforced panel only in combination with side shelf, for against the wall installations, left PNC 913262
- Shelf fixation for TL80-85-90 one-side operated, TL80 two-side operated PNC 913279
- Stainless steel dividing panel, 850x700mm, (it should only be used between Electrolux Professional thermaline Modular 85 and thermaline C85) PNC 913670

APPROVAL: \_\_\_\_\_



Experience the Excellence  
www.electroluxprofessional.com



**Electrolux**  
PROFESSIONAL

## Modular Cooking Range Line thermaline 85 - 900 mm Open base, 1 Side

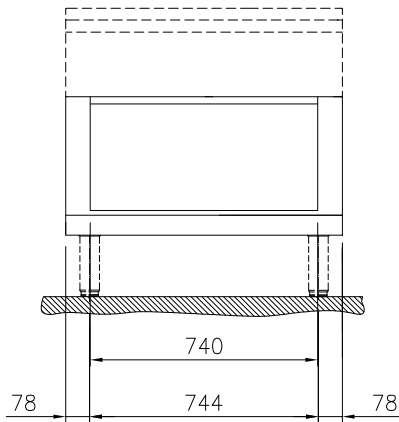
- Stainless steel side panel, 850x700mm, PNC 913686   
flush-fitting (it should only be used  
against the wall, against a niche and in  
between Electrolux Professional  
thermaline and ProThermetic  
appliances and external appliances -  
provided that these have at least the  
same dimensions)

Modular Cooking Range Line  
thermaline 85 - 900 mm Open base, 1 Side

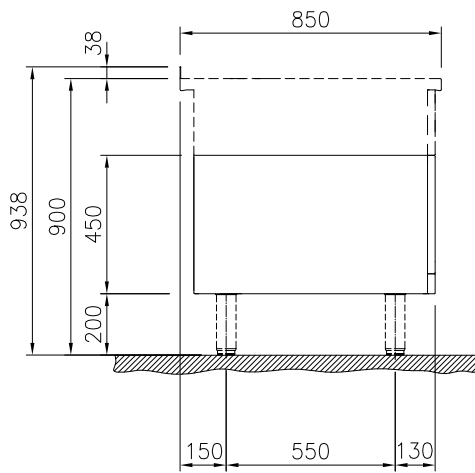
The company reserves the right to make modifications to the products  
without prior notice. All information correct at time of printing.

2024.11.05

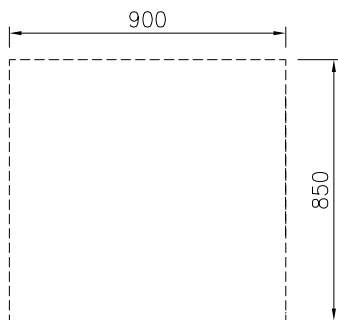
Front



Side



Top


**Key Information:**

<b>External dimensions, Width:</b>	
588637 (MB1MCA1000)	900 mm
<b>External dimensions, Depth:</b>	850 mm
<b>External dimensions, Height:</b>	450 mm
<b>Cupboard Cavity Dimensions (width):</b>	740 mm
<b>Cupboard Cavity Dimensions (height):</b>	330 mm
<b>Cupboard Cavity Dimensions (depth):</b>	740 mm
<b>Net weight:</b>	22 kg